

# Qui est Paul ?



## Rock Garden / Modular planter

Design Alain Gilles

These modular planters are in essence a reference to what gardens have of unique. They remind us of the logic found in rock gardens, but also of these once flourishing natural stone paths made out of roughly-cut stones.

By playing with juxtapositions these planters allow for an infinite number of settings. Hence, in a way, everyone can take part in the design process and create his own design. Each setting being unique and personal. Everything is possible, by either playing with a limited number of pieces, or with a large one.

The perfect pieces to recreate a rock-garden on a terrace, to visually divide larger spaces, or grow aromatic herbs for instance. These planters will also turn your interior spaces into livelier places by adding an unexpected touch of creativity.

### Specifications:

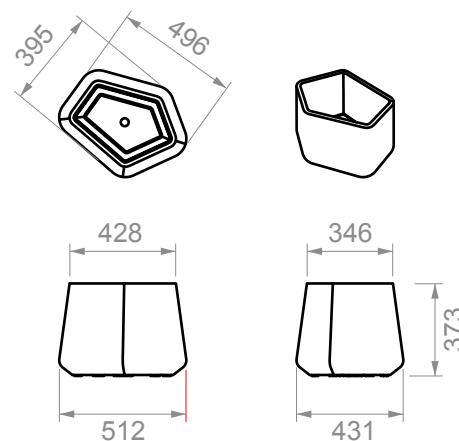
Rotational molded low-density polyethylene. UV resistant. Fully recyclable.

Can resist temperature going from - 60°C to +50°C.

Usable inside or outside (drainage hole can be drilled). Weight: 1,9 kg.

### Packaging:

Cardboard box and inner plastic lining.



**QUI EST PAUL?** Z.I. La Braconne - 16600 Mornac - France

Tel: (+33) 05.45.70.89.10 - Fax: (+33) 05.45.66.34.39

sales@qui-est-paul.com - www.who-is-paul.com